

EZETA

Lámpara de pared / Wall Lamp

PU7LAM33S100

Designed and produced by Ozeano Studio & KdlIn



DESCRIPCIÓN / DESCRIPTION

MEDIDAS / MEASURES

Unidades: cm

MATERIALES

Difusor de luz: Material plástico
Base LED: Metal

ACABADOS

Metal: Barnizado

ORIGEN

España

PESO

> 1 kg

ESPECIFICACIONES

Para uso: Interior
Medidas: \varnothing 12 x 8.5 cm
Regulación: Sí
LED: 4.2W 1350Lm 2700°K CRI>90
Tensión de red: 220-240 /120 V
Requiere montaje: Sí

MATERIALS

Light diffuser: Plastic material
LED Base: Aluminum

FINISHES

Metal: Varnished

ORIGIN

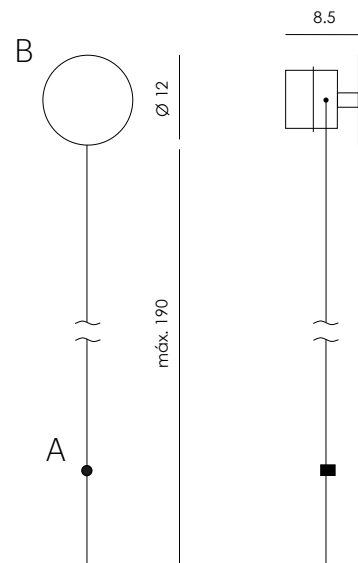
Spain

WEIGHT

> 1 kg

SPECIFICATIONS

For use: Indoor
Measures: \varnothing 12 x 8.5 cm
Dimmer: Yes
LED: 4.2W 1350Lm 2700°K CRI>90
Feeding: 220-240 /120 V
Assembly required: Yes



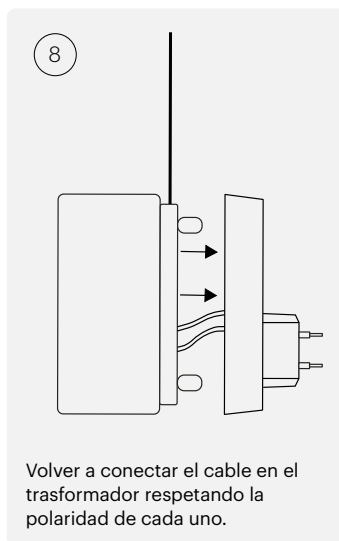
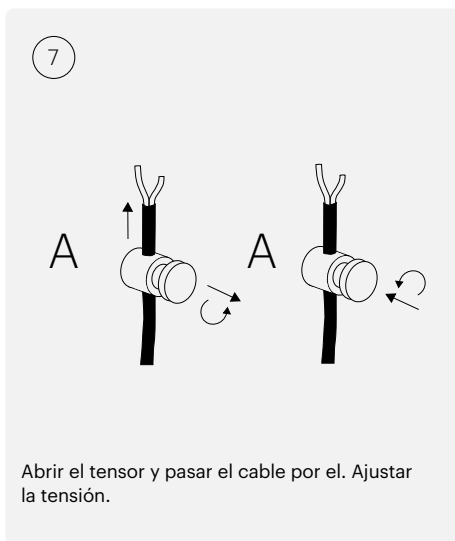
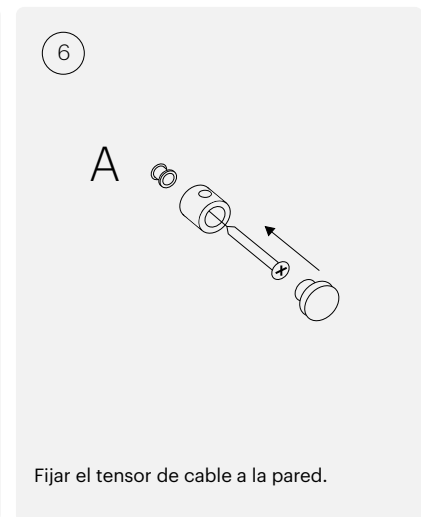
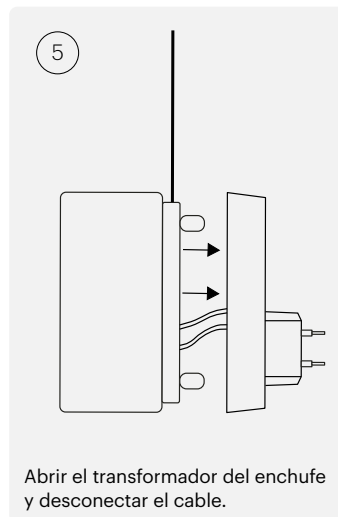
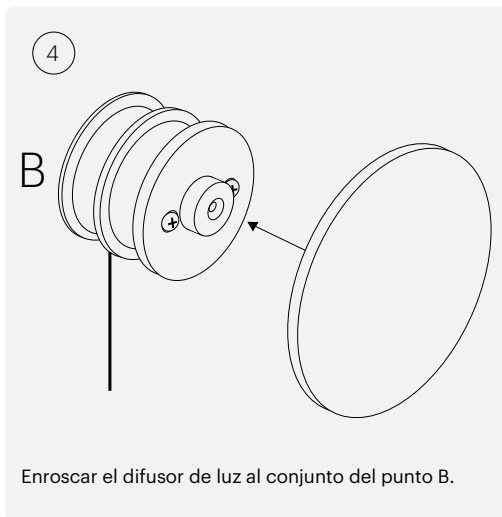
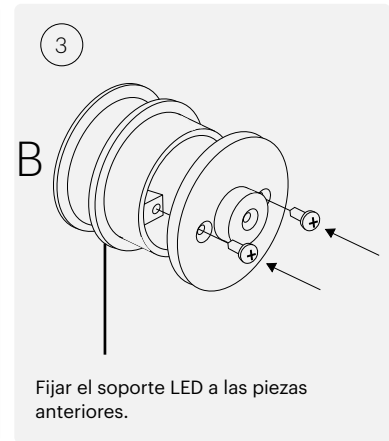
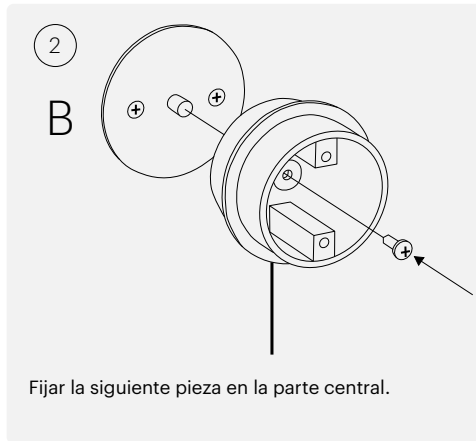
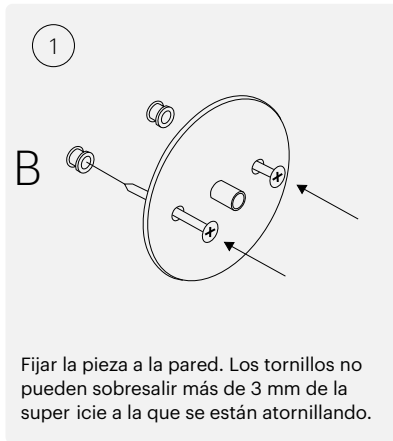
EZETA

Lámpara de pared / Wall Lamp

PU7LAM33S100

Designed and produced by Ozeano Studio & Kdln

MONTAJE / ASSEMBLY



- 1 Fix the piece to the wall. The screws don't may protrude more than 3 mm from the surface to which they are being screwed.
- 2 Fix the next piece in the central part.
- 3 Fix the LED holder to the previous pieces.
- 4 Screw the light diffuser to the assembly at point B.
- 5 Open the transformer and disconnect the cable.
- 6 Fix the cable tensioner to the wall.
- 7 Open the tensioner and pass the cable through it. Adjust the tension.
- 8 Reconnect the cable in the transformer. Make sure to respect the lamp cables polarity.

PU7LAM33S100

Designed and produced by Ozeano Studio & KdlIn

RECOMENDACIONES / RECOMMENDATIONS

Recomendaciones generales:

La seguridad del aparato está garantizada sólo con el uso apropiado de las instrucciones siguientes, por lo tanto es necesario atenderlas puntualmente.

Se recomienda que la instalación se realice por un profesional.

Desconectar siempre la alimentación antes de trabajar en el aparato.

Tener en cuenta antes de la intalación, la distancia entre el aplique y el tensor de cable.

Main recommendations:

The safety is guaranteed by the appropriate use of the following instructions, so you must keep them.

It is recommended that installation be done by a professional.

Always disconnect the main voltage before working on the appliance.

Take into account before installation, the distance between the wall lamp and the cable tensioner.